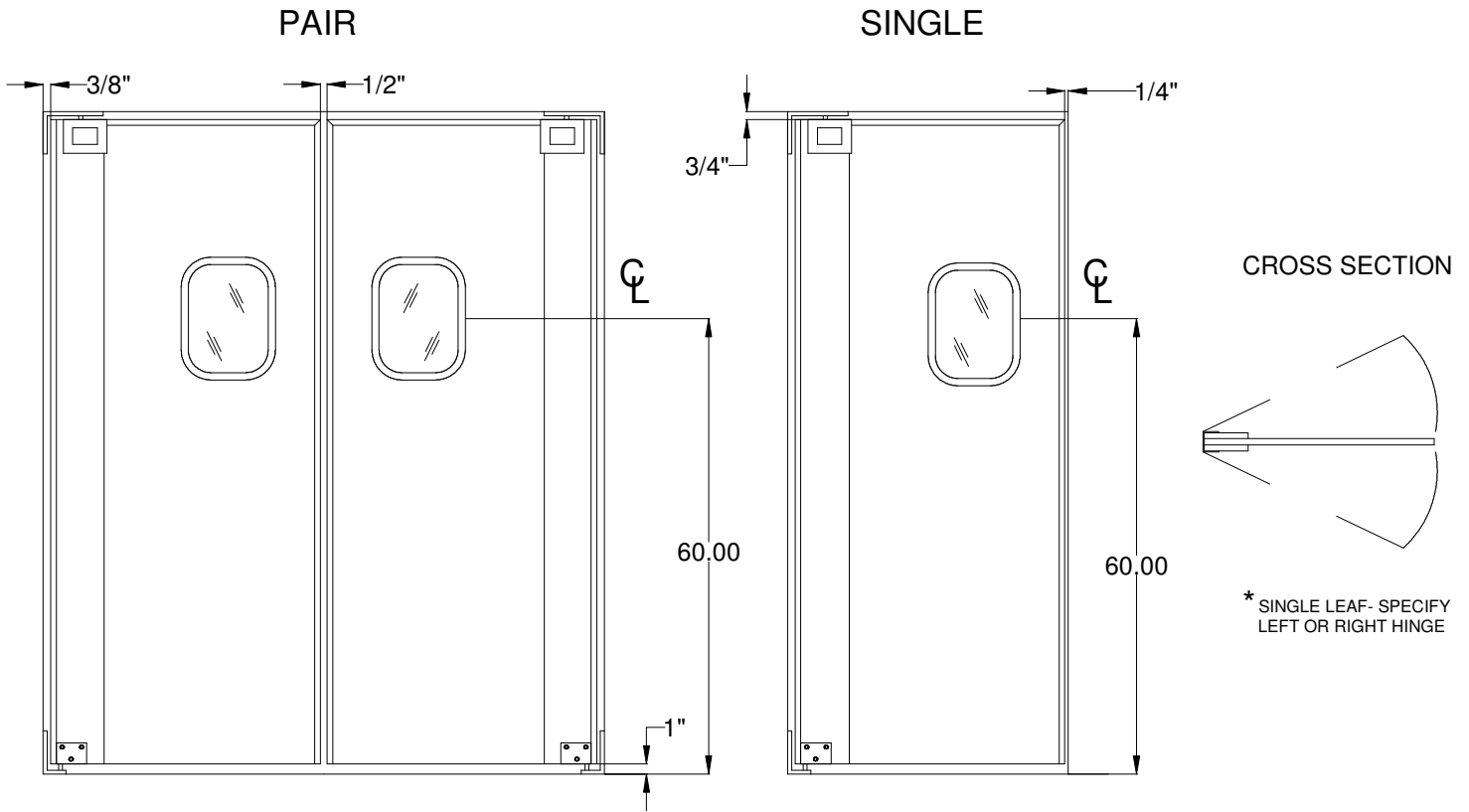


FALCON F SERIES SPEC SHEET

COMPACT LAMINATE SHEET STYLE DOUBLE ACTING DOOR



CONSTRUCTION & INSTALLATION: 1/4" THICK COMPACT PANEL TO HAVE 5" WIDE BACK SPINE CAPPED WITH BRUSHED STAINLESS STEEL CHANNEL FOR ADDED RIGIDITY. **FM** = METAL COLOR **FS** = SOLID COLOR **FW** = WOOD GRAIN. STANDARD WINDOWS ARE 9" X 14" - 1/4" ACRYLIC SET IS A ONE-PIECE SELF-LOCKING RUBBER MOLDING. HINGES ARE SMOOTH SWING OFFSET PIVOT MADE FROM ALL STAINLESS STEEL COVERS AND INCLUDES ALL MOUNTING HARDWARE 1/4" -20 SELF TAPPING WOOD OR METAL SCREWS FOR JAMB BY OTHERS. JAMBS MUST BE SQUARE AND PLUMB WITH A MINIMUM 2 X 4 STUD CONSTRUCTION. JAMBS NEED TO BE REINFORCED AT HINGE LOCATIONS.

DETAILS

DOOR SIZE: _____

WINDOW: 9" X 14" (STD) _____ 14" X 16" _____ 9" X 30" ADA _____ 12" ROUND _____

OTHER _____

IMPACT PLATE: TYPE - STAINLESS STEEL _____ PLASTIC _____ SIZE-18" _____ 24" _____ 36" _____ 48" _____ OTHER _____

COLOR: FM SERIES _____ FS SERIES _____ FW SERIES _____

OTHER OPTIONS: _____

JOB NAME: _____

CUSTOMER: _____

APPROVED BY: _____

DATE: _____

PHOENIX DOOR SYSTEMS - 6350 CASTLE DRIVE - MASON, OH 45040

PH: 513-492-8213 TOLL FREE 888-263-4082 WWW.PHOENIXDOORSYSTEMS.COM