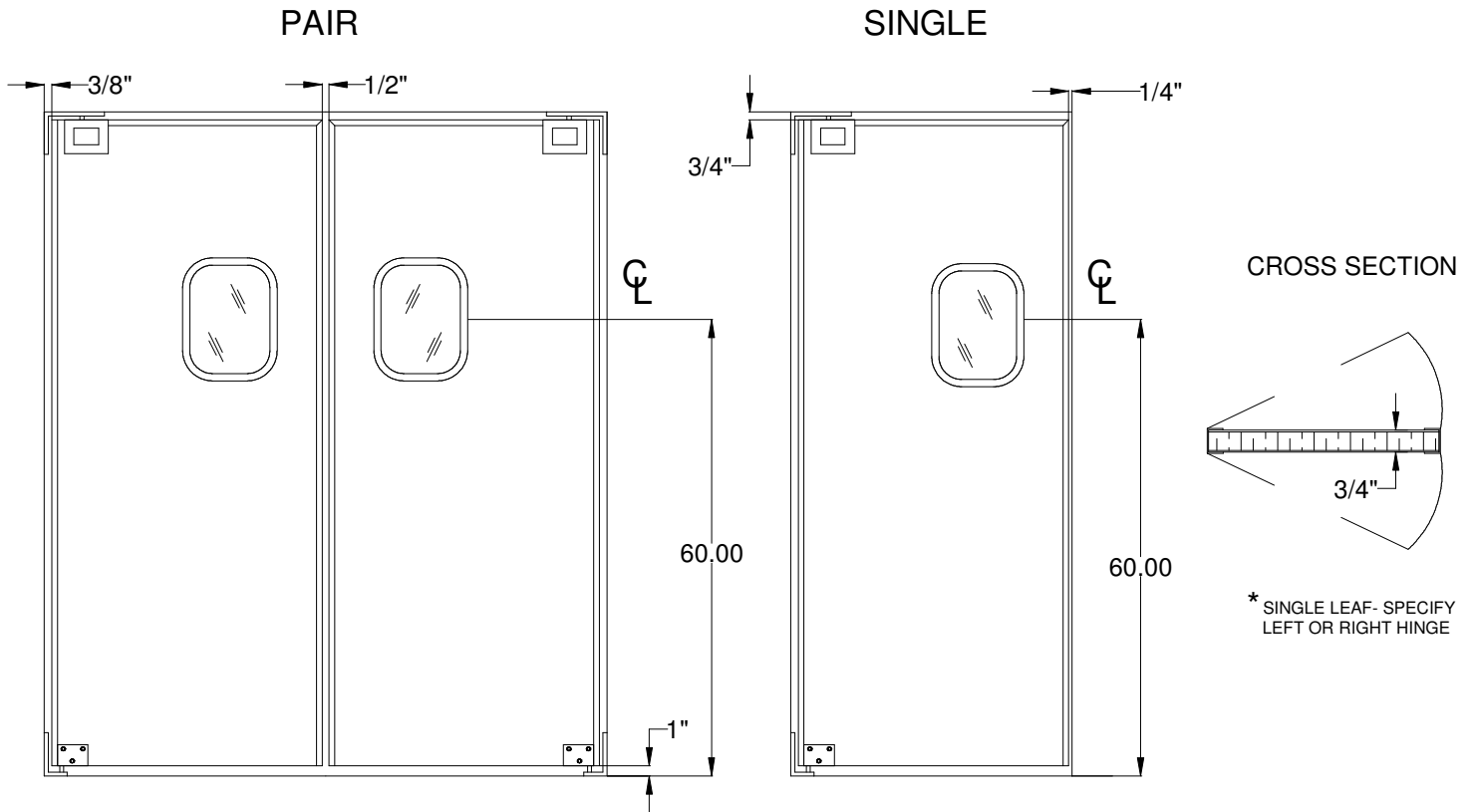


HAWK SP SERIES SPEC SHEET

HIGH PRESSURE LAMINATE WOOD CORE DOUBLE ACTING DOOR



CONSTRUCTION & INSTALLATION: 3/4" 7 PLY HARDWOOD GRADE PLYWOOD CORE WRAPPED IN HPL WITH 18 GA. STAINLESS EDGE CAPPING INCLUDING BOTTOM EDGE. STANDARD WINDOWS ARE 9" X 14" - 1/4" ACRYLIC SET IS A ONE-PIECE SELF-LOCKING RUBBER MOLDING. HINGES ARE SMOOTH SWING OFFSET PIVOT MADE FROM ALL STAINLESS STEEL COVERS AND INCLUDES ALL MOUNTING HARDWARE 1/4" -20 SELF TAPPING WOOD OR METAL SCREWS FOR JAMB BY OTHERS. JAMBS MUST BE SQUARE AND PLUMB WITH A MINIMUM 2 X 4 STUD CONSTRUCTION. JAMBS NEED TO BE REINFORCED AT HINGE LOCATIONS.

DETAILS

DOOR SIZE: _____

WINDOW: 9" X 14" (STD) _____ 14" X 16" _____ 9" X 30" ADA _____ 12" ROUND _____
 OTHER _____

IMPACT PLATE: STAINLESS STEEL _____ PLASTIC _____ SIZE-18" _____ 24" _____ 36" _____ 48" _____

COLOR: _____

OTHER OPTIONS: _____

JOB NAME: _____ CUSTOMER: _____

APPROVED BY: _____ DATE: _____