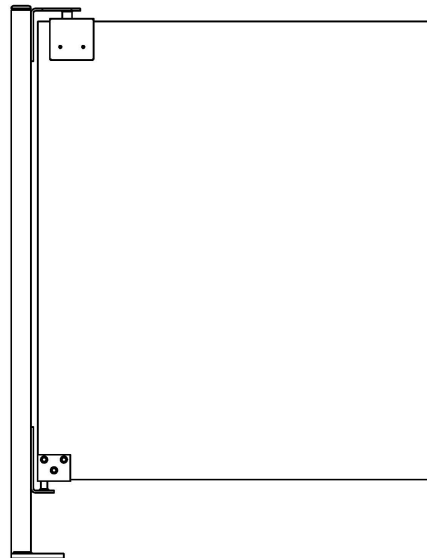
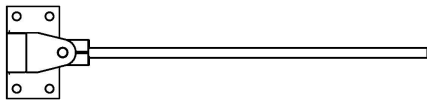
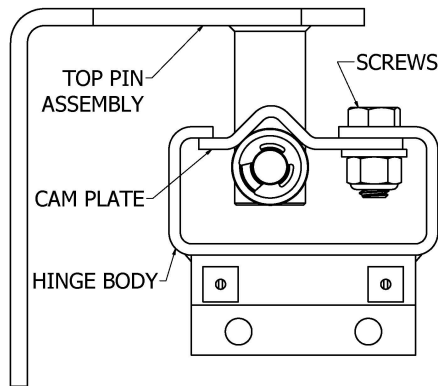


GATE POST INSTALLATION INSTRUCTIONS

PHOENIX DOOR SYSTEMS

FREE STANDING GATE DOOR AND POST



1. Measure height of post and door panel. Compare with dimensions given on packing slip.
2. The door panel is attached to the post, before it is packaged and shipped. It may be removed, to facilitate easier handling and installation of the post.
3. Locate post in desired location and drill a 3/8" hole, 3 1/2" deep, then blow out, using compressed air.
4. Insert the 3/8" x 3" anchor bolt, provided, through the hole in the base plate of the post and into the drilled hole. Use a 9/16" deep-well socket, to tighten the nut.
5. Repeat steps 2 and 3 until all of the anchors are tightened to the base plate of the post.
6. If the door panel was removed from the post, reinstall it at this time.
7. Loosen screws, shown in diagram. Rotate panel to rest in the proper closed position and tighten screws. Install hinge covers.

PHOENIX DOOR SYSTEMS
7390 Union Centre Blvd.
West Chester, Ohio 45014
888-263-4082



PHOENIX
DOOR SYSTEMS